

Fan types JK-55MTD – JK-90MTD

The direct drive centrifugal fan types JK-55MTD – JK-90MTD are designed for transport of clean air:

Equipped with backward-inclined blades and aerodynamic intake.

The impellers are statically and dynamically balanced.

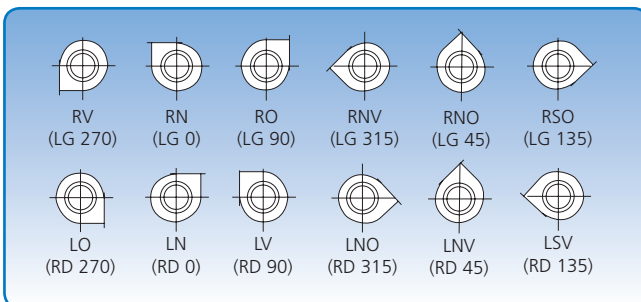
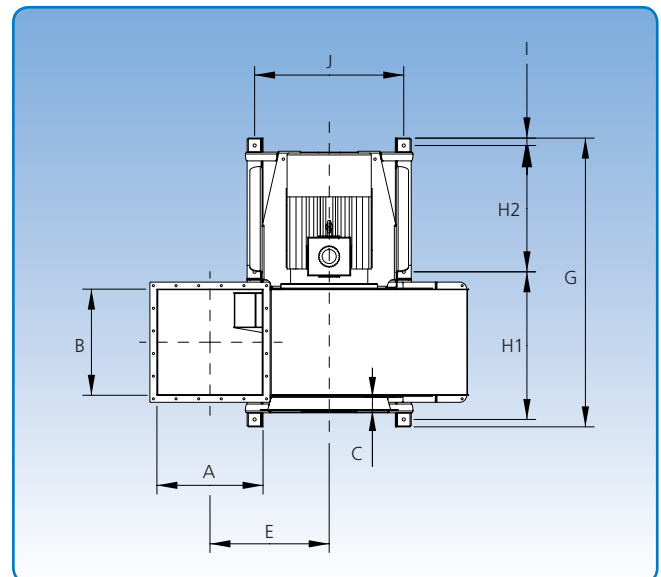
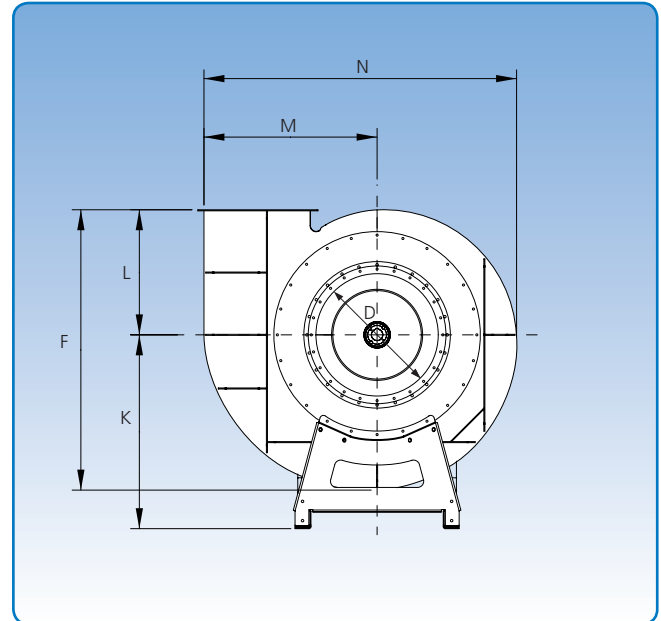
Max. operating temperature: 60°C

The inlet (D) is supplied with flange as standard.

Specific dimensions for the outlet and inlet flanges can be found under "Flanges".

Available in anti-spark version with stainless steel inlet and explosion proof (Ex) motor.

The technical data for each type appears on the following pages.



6 positions. The position illustrations are viewed from the inlet side.

Dimensions																
Type	A mm	B mm	C mm	D mm	E mm	F mm	G mm	H1 mm	H2 mm	I mm	J mm	K mm	L mm	M mm	N mm	Weight without motor kg
JK-55MTD	505	505	173	550	655	1515	1481	742	655	42	850	1032	685	906	1659	441
JK-60MTD	505	505	75	600	655	1515	1481	742	655	42	850	1032	685	906	1659	444
JK-70MTD	605	605	75	700	680	1598	1646	842	720	42	850	1105	713	979	1773	491
JK-80MTD	705	705	75	800	711	1691	1821	942	795	42	1000	1188	744	1062	1901	564
JK-90MTD	805	805	75	900	718	1762	1990	1071	832	44	1264	1264	771	1120	1994	807