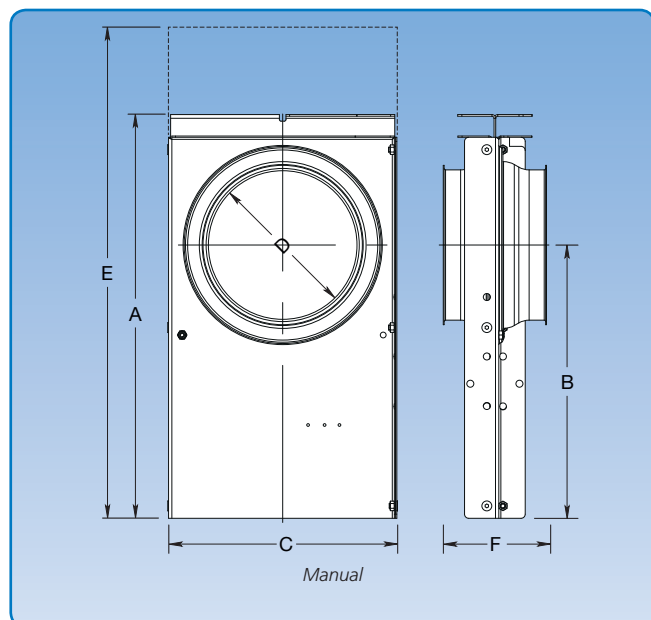


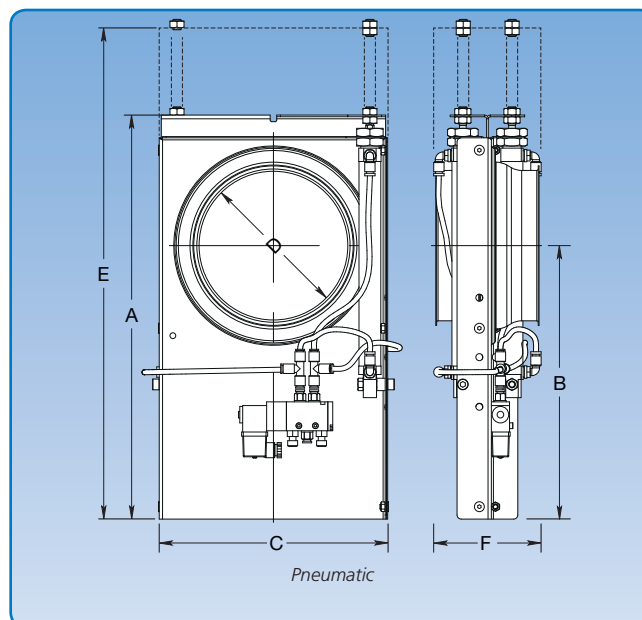
Tight sliding dampers, stainless steel, manual and pneumatic



Dimensional specifications are given in the table below.

General

Sliding dampers are made of 1.50 mm, 2.00 mm and 2.50 mm stainless sheet metal (s). The damper plate slides in the polyether and PEHD gas-kets to ensure optimum tightness.



Dimensional specifications are given in the table below.

With pneumatic actuator

The pneumatic damper is for $\varnothing 50$ up to $\varnothing 160$ mm fitted with 1 pneumatic cylinder. From $\varnothing 180$ it is fitted with 2 pneumatic cylinders.

Dimensions											
Item no. (Man.)	Item no. (Pneu./ 230 V AC)	D mm	A mm	B mm	C mm	E mm	F mm	Material thickness Damper plate (mm)	Material thickness Damper house (mm)	Weight (kg) Manual	Weight (kg) Pneu.
1400502	1400504	50*	220	130	140	295	145	2,0	1,5	1,7	2,8
1400512	1400514	63*	220	130	140	295	145	2,0	1,5	1,7	2,8
1400522	1400524	76*	250	150	160	340	145	2,0	1,5	2,1	3,2
1400532	1400534	80	250	150	160	340	125	2,0	1,5	2,1	3,1
1400542	1400544	100	290	180	180	400	125	2,0	1,5	2,6	3,6
1400562	1400564	108*	340	220	205	475	145	2,0	1,5	3,3	4,7
1400572	1400574	120	340	220	205	475	125	2,0	1,5	3,3	4,3
1400582	1400584	125	340	220	205	475	125	2,0	1,5	3,3	4,3
1400602	1400604	140	390	255	230	550	125	2,0	1,5	4,0	5,1
1400612	1400614	150	390	255	230	550	125	2,0	1,5	4,0	5,1
1400622	1400624	152*	390	255	230	560	145	2,0	1,5	4,3	5,4
1400632	1400634	160	410	270	240	580	125	2,0	1,5	4,3	5,5
1400642	1400644	180	490	330	280	700	125	2,0	1,5	5,7	7,5
1400652	1400654	200	490	330	280	700	125	2,0	1,5	5,8	7,5
1400672	1400674	225	590	405	350	850	165	3,0	2,0	11,7	13,5
1400682	1400684	250	590	405	375	850	165	3,0	2,0	12,1	14,0
14006821	14006841	275	650	445	400	975	165	3,0	2,0	14,7	18,7
1400692	1400694	300	730	505	425	1055	165	3,0	2,0	16,6	20,7
1400702	1400704	315	730	505	440	1055	165	3,0	2,0	16,9	20,9
1400712	1400714	350	800	555	475	1160	165	3,0	2,0	19,6	23,9
1400722	1400724	400	900	630	525	1310	165	3,0	2,0	23,5	28,5
1400732	1400734	450	1035	705	625	1495	250	3,0	3,0	52,1	62,4
1400742	1400744	500	1135	780	675	1645	250	3,0	3,0	59,9	71,0

* Only supplied smooth.

The item numbers stated are for sliding dampers assembled using pull rings [f.b].

Sliding dampers are also available for other assembly methods. See p. 6 for assembly methods.