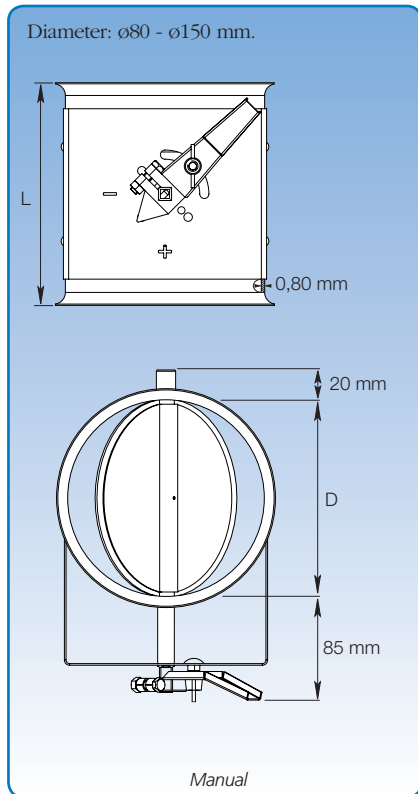
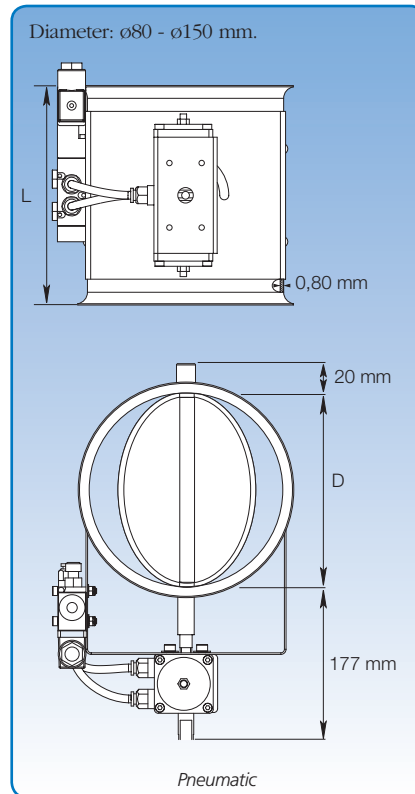


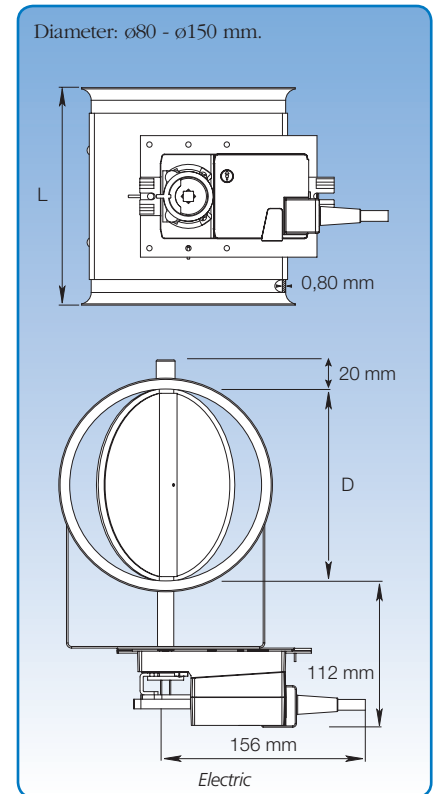
Throttle valves, stainless steel, manual, pneumatic and electric



Dimensional specifications are given in the table below.



Dimensional specifications are given in the table below.



Dimensional specifications are given in the table below.

General

Throttle valves are made of 0.80 mm sheet metal and damper in double sheet. Throttle handle indicates damper position, and can be variably set between open and closed. Available with natural rubber gasket. Maximum closure of throttle valves is 96%.

With pneumatic actuator

The damper is turned by a pneumatic actuator controlled by an electrically-operated valve. Solenoid valve: monostable 5/2 valve with 1 x 230 V AC - 50/60 Hz electric coil or 24 V DC. Pneumatic pressure: 4-6 bar. Setting indicators showing damper position are available as an optional extra.

With electric actuator

Damper is operated by an electric motor activated by a changeover switch. Setting indicators showing damper position are available as an optional extra. Electrical connection: 230 V AC - 50 Hz or 24 V DC.

			Dimensions				
Item no. (Man.)	Item no. (Pneu.)	Item no. (Elec.)	D mm	L mm	Weight (Man.) kg	Weight (Pneu.) kg	Weight (Elec.) kg
1501112	1501132	1501122	80	125	0,65	3,34	1,60
1501142	1501162	1501152	100	125	0,75	3,52	1,70
1501172	1501192	1501182	120	135	0,90	3,71	1,85
1501202	1501222	1501212	125	135	1,05	2,30	1,50
1501232	1501252	1501242	140	170	1,15	4,03	2,10
1501262	1501282	1501272	150	170	1,25	4,15	2,20
1501292	1501312	1501302	160	170	1,85	2,60	1,81

The item numbers stated are for throttle valves assembled using pull rings [f.b].

Throttle valves are also available for other assembly methods. See p. 5 for assembly methods.