

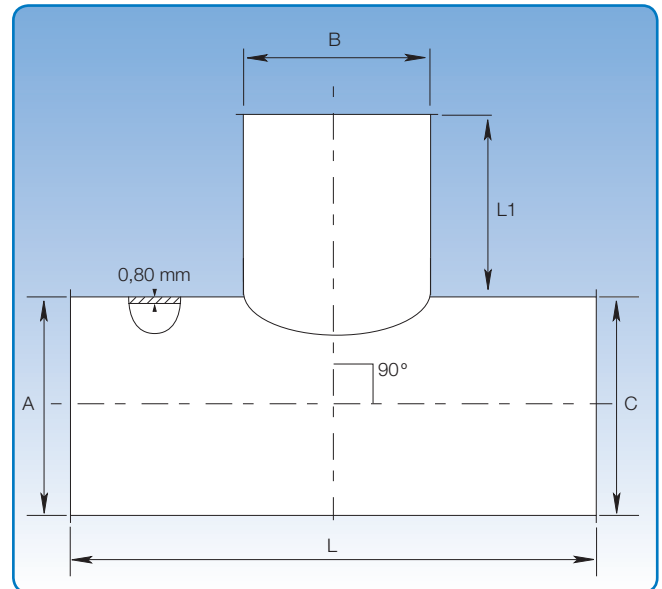
90° T-pieces, stainless steel

Diameter: $\varnothing 80 - \varnothing 1000$ mm.

T-pieces in stainless steel are made of 0,80 mm sheet metal

For dimensions apply:

State A-, B- and C dimensions when ordering.



Dimensional specifications are given in the table below.

Dimensions				
B mm	s mm	L mm	L1 mm	
80	0,80	230	75	
100	0,80	250	75	
120	0,80	270	75	
125	0,80	275	75	
140	0,80	290	75	
150	0,80	300	75	
160	0,80	310	75	
180	0,80	330	75	
200	0,80	350	75	
225	0,80	425	100	
250	0,80	450	100	
275	0,80	475	100	
300	0,80	500	100	
315	0,80	515	100	
350	0,80	550	100	
400	0,80	600	100	
450	0,80	750	150	
500	0,80	800	150	
550	0,80	850	150	
600	0,80	900	150	
630	0,80	930	150	
650	0,80	950	150	
700	0,80	1100	200	
750	0,80	1150	200	
800	0,80	1200	200	
850	0,80	1250	200	
900	0,80	1300	200	
950	0,80	1350	200	
1000	0,80	1400	200	

The item numbers stated are for T-pieces assembled using pull rings [f.b].

T-pieces are also available for other assembly methods. See p. 5 for assembly methods.