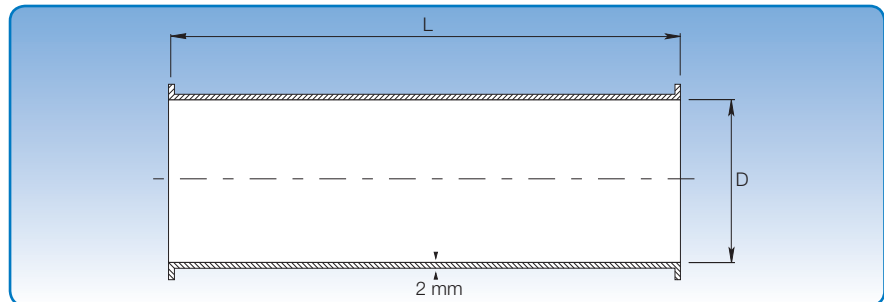


## Ducts, 2 and 3 mm

Diameter for 2 mm:  $\phi 80 - \phi 1250$  mm.

2 and 3 mm ducts  $D \leq 600$  mm supplied as standard for pull rings [f.b]. Ducts with  $D = \phi 630$  mm -  $\phi 1250$  mm supplied with flanges [m.fl].



Dimensional specifications are given in the table below.

Dimensions						
D mm	L = 0.5 m		L = 1.0 m		L = 2.0 m	
	Item no.	kg	Item no.	kg	Item no.	kg
80	1040131	2,00	1040141	4,00	1040151	8,00
100	1041131	2,50	1041141	5,00	1041151	10,00
120	1042131	3,10	1042141	6,20	1042151	12,40
125	1043131	3,20	1043141	6,40	1043151	12,80
140	1044131	3,50	1044141	7,00	1044151	14,20
150	1045131	3,80	1045141	7,60	1045151	15,20
160	1046131	4,10	1046141	8,20	1046151	16,40
180	1047131	4,60	1047141	9,10	1047151	18,20
200	1048131	5,10	1048141	10,20	1048151	20,40
225	1049131	5,80	1049141	11,30	1049151	22,70
250	1050131	6,30	1050141	12,60	1050151	25,20
300	1051131	7,60	1051141	15,20	1051151	30,40
315	1052131	7,70	1052141	15,50	1052151	31,00
350	1053131	8,90	1053141	16,80	1053151	33,80
400	1054131	10,10	1054141	20,20	1054151	40,40
450	1055131	11,40	1055141	22,80	1055151	45,60
500	1056131	12,60	1056141	25,20	1056151	50,40
550	1057131	13,90	1057141	27,80	1057151	55,60
600	1058131	15,20	1058141	30,40	1058151	60,80
630	1059135	22,30	1059145	38,20	1059155	70,00
650	1060135	23,00	1060145	39,40	1060155	72,00
700	1061135	24,70	1061145	42,30	1061155	77,50
750	1062135	29,00	1062145	48,00	1062155	85,80
800	1063135	31,00	1063145	52,20	1063155	91,70
850	1064135	32,90	1064145	54,40	1064155	97,00
900	1065135	34,80	1065145	57,40	1065155	102,70
950	1066135	36,80	1066145	60,80	1066155	108,80
1000	1067135	38,60	1067145	63,80	1067155	114,20
1100	1068135	42,50	1068145	71,10	1068155	126,50
1250	1069135	45,20	1069145	76,70	1069155	129,70

Item numbers designated with  $D \leq 600$  mm are for ducts assembled with pull rings [f.b].

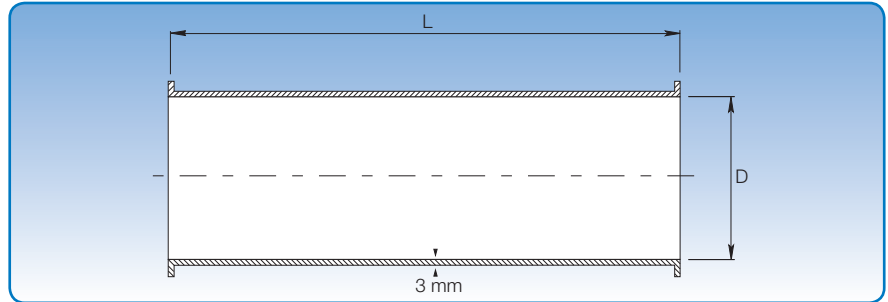
Item numbers designated with  $D \geq 630$  mm are for ducts with flanges [m.fl].

2 and 3 mm ducts are also available for other assembly methods. See p. 7 for assembly methods.

## Ducts, 2 and 3 mm

Diameter for 3 mm:  $\phi 150 - \phi 1250$  mm.

2 and 3 mm ducts  $D \leq 600$  mm supplied as standard for pull rings [f.b]. Ducts with  $D = \phi 630$  mm -  $\phi 1250$  mm supplied with flanges [m.fl].



Dimensional specifications are given in the table below.

Dimensions						
D mm	L = 0.5 m		L = 1.0 m		L = 2.0 m	
	Item no.	kg	Item no.	kg	Item no.	kg
150	1045161	5,70	1045171	11,40	1045181	22,80
160	1046161	6,10	1046171	12,20	1046181	24,40
180	1047161	6,80	1047171	13,60	1047181	27,20
200	1048161	7,60	1048171	15,20	1048181	30,40
225	1049161	8,60	1049171	17,10	1049181	34,20
250	1050161	9,60	1050171	19,00	1050181	38,00
300	1051161	11,40	1051171	22,80	1051181	45,60
315	1052161	11,70	1052171	23,30	1052181	46,60
350	1053161	13,30	1053171	26,60	1053181	53,20
400	1054161	15,20	1054171	30,40	1054181	60,80
450	1055161	17,10	1055171	34,20	1055181	68,40
500	1056161	19,00	1056171	38,00	1056181	76,00
550	1057161	20,90	1057171	41,80	1057181	83,60
600	1058161	22,70	1058171	45,40	1058181	90,80
630	1059165	35,20	1059175	54,00	1059185	101,60
650	1060165	31,20	1060175	55,80	1060185	105,00
700	1061165	33,50	1061175	59,90	1061185	112,70
750	1062165	36,00	1062175	66,80	1062185	123,40
800	1063165	41,00	1063175	71,20	1063185	131,60
850	1064165	43,50	1064175	76,70	1064185	139,90
900	1065165	46,10	1065175	80,00	1065185	148,10
950	1066165	48,70	1066175	84,60	1066185	156,40
1000	1067165	52,20	1067175	89,00	1067185	168,60
1100	1068165	56,30	1068175	98,00	1068185	181,00
1250	1069165	61,00	1069175	108,20	1069185	202,70

Item numbers designated with  $D \leq 600$  mm are for ducts assembled with pull rings [f.b].

Item numbers designated with  $D \geq 630$  mm are for ducts with flanges [m.fl].

2 and 3 mm ducts are also available for other assembly methods. See p. 7 for assembly methods.