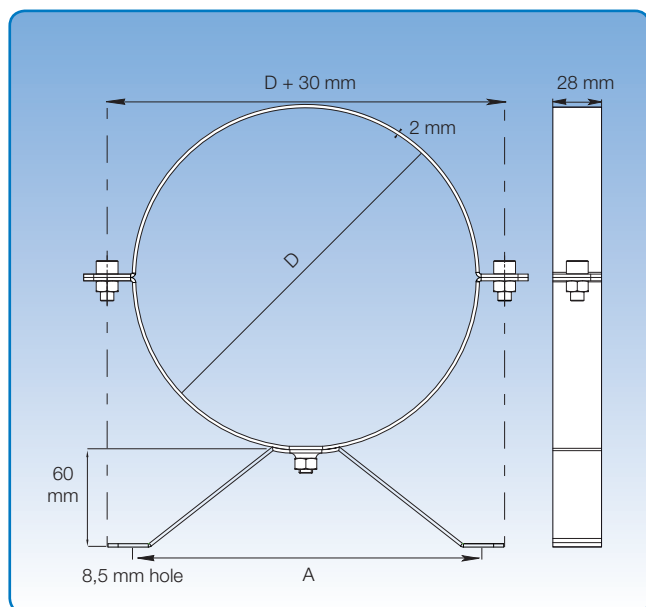


Clip bands, galvanised



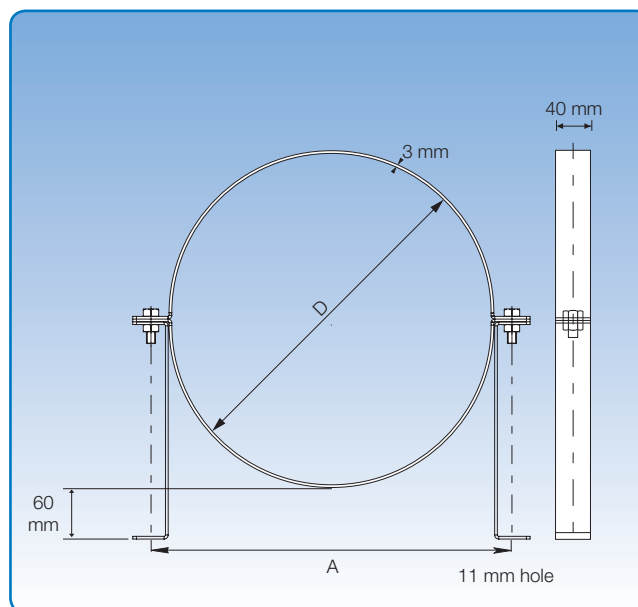
Diameter: $\varnothing 80 - \varnothing 315$ mm.

Supplied for mounting JKF duct systems. 3 different mounting principles: with legs, wall mounted and hanging.

Recommended distance between bands: 1 band to every other assembly.

They are supplied in plastic bags of 5, along with the necessary nuts and bolts.

| s = 2 mm | | | |
|-----------------------|------|------|-----------|
| Item no. without legs | D mm | A mm | Weight kg |
| 4670280 | 80 | 132 | 0,27 |
| 4671280 | 100 | 132 | 0,29 |
| 4672280 | 120 | 132 | 0,32 |
| 4673280 | 125 | 132 | 0,33 |
| 4674280 | 140 | 132 | 0,35 |
| 4675280 | 150 | 132 | 0,36 |
| 4676280 | 160 | 132 | 0,38 |
| 4677280 | 180 | 210 | 0,43 |
| 4678280 | 200 | 210 | 0,46 |
| 4679280 | 225 | 210 | 0,50 |
| 4680280 | 250 | 210 | 0,53 |
| 4688289 | 275 | 210 | 0,57 |
| 4681280 | 300 | 210 | 0,60 |
| 4682280 | 315 | 210 | 0,62 |



Diameter: $\varnothing 350 - \varnothing 800$ mm.

Supplied for mounting JKF duct systems. 3 different mounting principles: with legs, wall mounted and hanging.

Recommended distance between bands: 1 band to every other assembly.

| s = 3 mm | | | |
|-----------------------|------|------|-----------|
| Item no. without legs | D mm | A mm | Weight kg |
| 4683280 | 350 | 399 | 1,66 |
| 4683290 | 375 | 424 | 1,71 |
| 4689280 | 400 | 449 | 1,83 |
| 4684290 | 425 | 474 | 1,91 |
| 4685280 | 450 | 499 | 2,01 |
| 4685290 | 475 | 524 | 2,08 |
| 4686280 | 500 | 549 | 2,27 |
| 4687280 | 550 | 599 | 2,33 |
| 4688280 | 600 | 649 | 2,42 |
| 4689280 | 630 | 679 | 2,51 |
| 4690280 | 650 | 699 | 3,64 |
| 4691280 | 700 | 749 | 3,88 |
| 4692280 | 750 | 799 | 4,09 |
| 4693280 | 800 | 849 | 4,31 |