

## 45° straight branch pieces, galvanised

Diameter: ø80 – ø1000 mm.

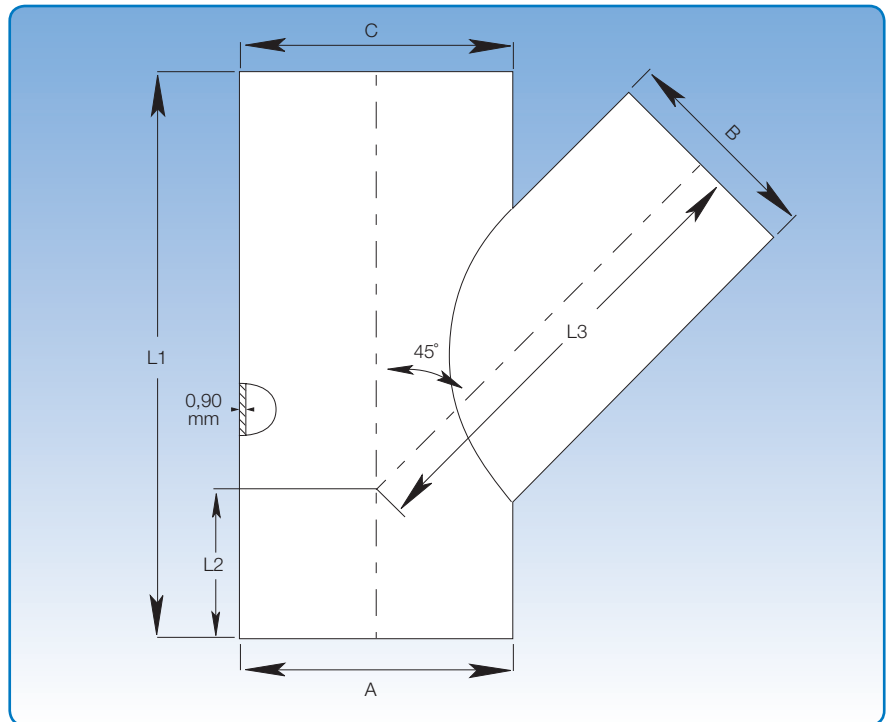
Galvanised branch pieces are made of 0.90 mm sheet metal.

When supplied with loose flanges, [f.b.m.fl], L1 is extended by 2 x 50 mm.

State A-, B- and C dimensions when ordering.  
Options are limited by A = C, and A ≥ B.  
A = C must be max. 1000 mm.

The branch determines the length of L1.  
Branch pieces are always straight with the branch centrally located.

L1, L2 and L3 can be calculated using the stated formulas.



### Calculating L2 and L3:

L1 = see table

$$L2 = \frac{1}{2} \times \left( L1 - \frac{A}{\text{tg} \alpha} \right)$$

$$L3 = \frac{L1 - L2}{\cos \alpha} - \left( \frac{B}{2} \times \text{tg} \alpha \right)$$

### Example:

A = 500, B = 450, C = 500

L1 = 950 mm

$$L2 = 0,5 \times \left( 950 - \frac{500}{\text{tg} 44,7} \right) = 0,5 \times (950 - 505,26)$$

L2 = - 222,37 ~ - 222 mm

$$L3 = \frac{950 + 222}{\cos 44,7} - \left( \frac{450}{2} \times \text{tg} 44,7 \right) = 1024,19 - 222,66$$

L3 = 801,53 ~ 802 mm

Dimensions					
A = C mm	B mm	L1 mm	L2 mm	L3 mm	α
	80	300			43,8
	100	300			43,8
	120	350			44,0
	125	350			44,0
	140	350			44,1
	150	400			44,2
	160	400			44,2
	180	400			44,3
	200	450			44,4
	225	500			44,5
	250	500			44,5
	275	600			44,6
	300	600	Calculate	Calculate	44,6
	315	600			44,6
	350	700			44,7
	400	800			44,7
	450	950			44,7
	500	950			44,8
	550	1150			44,8
	600	1050			44,8
	630	1150			44,8
	650	1150			44,8
	700	1300	44,8		
	750	1300	44,8		
	800	1450	44,9		
	850	1450	44,9		
	900	1650	44,9		

Select (80 - 1000)