

30° and 45° trouser pieces, galvanised

Diameter: $\varnothing 80 - \varnothing 1000$ mm.

Galvanised trouser pieces are made of 0,90 mm sheet metal.

State A-, B- and C dimensions when ordering.

Trouser pieces are extended by 50 mm on legs B and C when assembled by wide pull rings [f.bb], rapid lock pull rings [f.lyn], or loose flanges [f.b.m.fl].

JKF can also supply trouser pieces in other angles and qualities.

For galvanised trouser pieces:

$A \geq B$ and $A \geq C$. When $C \neq B$, the highest value of B and C shall be used for calculation.

Calculation of L1 and L2 for 2 × 30°:

$$L1 = (A \times 0,134) + 50$$

$$L2 = (B \times 0,866) + 100$$

Example:

$$A = B = C = 200$$

$$L1 = (200 \times 0,134) + 50 = 76,8$$

$$L2 = (200 \times 0,866) + 100 = 273,2$$

Calculation of L1 and L2 for 2 × 45°:

$$L1 = (A \times 0,207) + 50$$

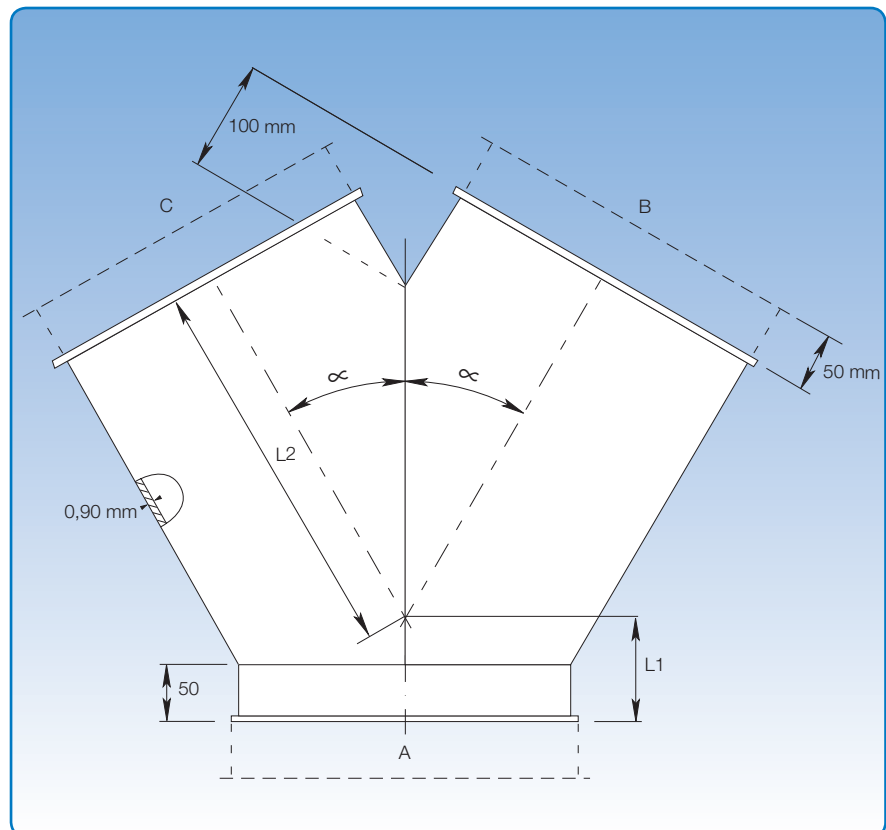
$$L2 = (B \times 0,5) + 100$$

Example:

$$A = B = C = 200$$

$$L1 = (200 \times 0,207) + 50 = 91,4$$

$$L2 = (200 \times 0,5) + 100 = 200$$



$\alpha = 30^\circ$ or 45°