

## CE-MOB 5,5 kW

**CE is a high quality plug and play suction unit, with good filter technology**

### Description

CE is a high quality plug and play suction unit, with good filter technology.

### The suction unit is preferably used for:

Cleaning in industry and construction, central vacuum cleaning, extraction of dust and smoke, weld fume extraction.

**Suitable for:** wood, metal, plastic etc.

### Extraction takes place in two steps

Coarse separation by the cyclone effect and fine separation in pleated tapered cartridge filter.

Effective automatic filter cleaning by air pulse ensures good suction capacity even at high dust loads. The control cabinet, with starting device, has built-in functions for: start/stop, filter cleaning and terminal strip connection for external start. The unit is equipped with a vacuum valve to ensure cool air to the side channel blower.



## CE-3/CE-5 3/kW/5kW

**CE is a high quality plug and play suction unit, with good filter technology**

### Description

Coarse separation by the cyclone effect and fine separation in pleated tapered cartridge filter.

### The suction unit is preferably used for:

Cleaning in industry and construction, central vacuum cleaning, extraction of dust and smoke, weld fume extraction.

**Suitable for:** wood, metal, plastic etc.

### Extraction takes place in two steps

Coarse separation by the cyclone effect and fine separation in pleated tapered cartridge filter.

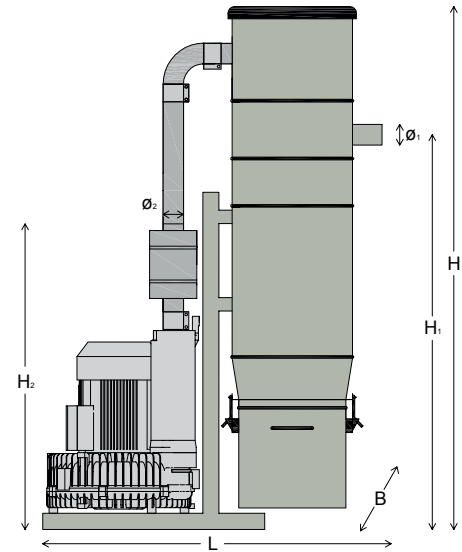
Effective automatic filter cleaning by air pulse ensures good suction capacity even at high dust loads. The control cabinet, with starting device, has built-in functions for: start/stop, filter cleaning and terminal strip connection for external start. The unit is equipped with a vacuum valve to ensure cool air to the side channel blower.

**Dimensions**

Model	CE-MOB	CE-3	CE-5
L (mm)	1150	1150	1150
B (mm)	600	600	600
H (mm)	1800	1700	1700
H1 (mm)	1350	1250	1250
H2 (mm)	1110	910	1010
Ø1 (mm)	76	76	76
Ø2 (mm)	80	80	80

**Technical data**

Model	MOB	CE-3	CE-5
Motor capacity (kW)	5,5	3,0	5,5
Max flow open inlet appr. (m³/h)	550	312	550
Max negative pressure (kPa)	-26	-25	-26
Filter area (m²)	7.5	7.5	7.5
Filter material	Pressed polyester		
Filter class BIA	USGC (99,9% filter efficiency)		
Sound level silencer dB(A)	72	68	72
Height (mm)	1800	1700	1700
Width (mm)	600	600	600
Length (mm)	1150	1150	1150
Req. El: 3x 380V50Hz w. 0 (A)	20	16	20
Ø in- and outlet (mm)	76/80	76/80	76/80
Air pressure	6 l/s 5 bar	6 l/s 5 bar	6 l/s 5 bar
Connect. Ø air pressure (mm)	6	6	6
Weight (kg)	200	160	180
Container (L)	40	40	40



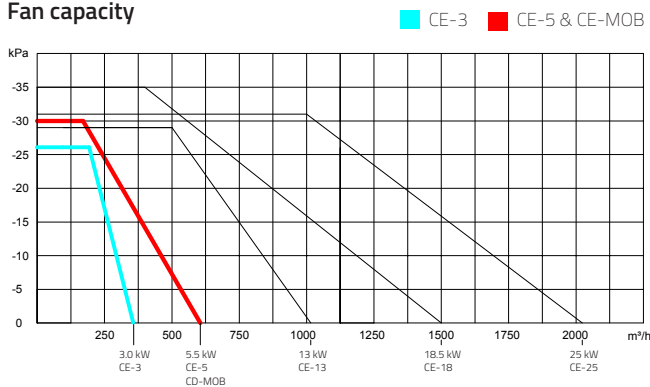
**As an option, the unit can be equipped with:**

- Frequency control
- Sound enclosure
- HEPA filters on the exhaust side

**Application:**

- Industrial vacuuming
- Welding tools/Hand tools
- Grinding dust from construction/ industrial environment

**Fan capacity**



	Connect. Ø (mm)	Airflow (m³/h)
Welding torch	32-38	100
Hand grinding	25	70
Hand grinding	32	120
Hand grinding	38	165
Floor cleaning	32	120
Floor cleaning	38	165
Floor cleaning	50	280