

CE-13, 13 kW

CE is a high quality plug and play suction unit, with good filter technology.

Description

CE is a high quality plug and play suction unit, with good filter technology.

The suction unit is preferably used for:

Cleaning in industry and construction, central vacuum cleaning, extraction of dust and smoke, weld fume extraction.

Suitable for: wood, metal, plastic etc.

Extraction takes place in two steps

Coarse separation by the cyclone effect and fine separation in pleated tapered cartridge filter.

Effective automatic filter cleaning by air pulse ensures good suction capacity even at high dust loads. The control cabinet, with starting device, has built-in functions for: start/stop, filter cleaning and terminal strip connection for external start. The unit is equipped with a vacuum valve to ensure cool air to the side channel blower.

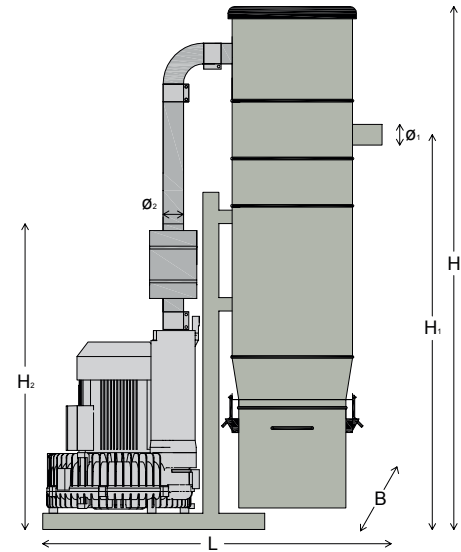


Dimensions

Model	CE-13
L (mm)	1200
B (mm)	600
H (mm)	1930
H1 (mm)	1485
H2 (mm)	1110
Ø1 (mm)	102
Ø2 (mm)	100

Technical data

Model	CE-13
Motor capacity (kW)	13
Max flow open inlet appr. (m ³ /h)	1140
Max negative pressure (kPa)	-30
Filter area (m ²)	10
Filter material	Pressed polyester
Filter class BIA	USGC (99,9% filter efficiency)
Sound level silencer dB(A)	74
Height (mm)	1930
Width (mm)	600
Length (mm)	1200
Req. El: 3x 380V50Hz w. 0 (A)	50
Ø in- and outlet (mm)	102/100
Air pressure	6 l/s 5 bar
Connect. Ø air pressure (mm)	6
Weight (kg)	265
Container (L)	40



As an option, the unit can be equipped with:

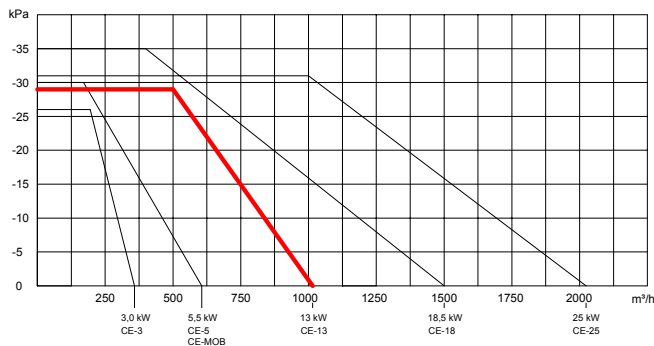
- Frequency control
- Sound enclosure
- HEPA filters on the exhaust side

Application:

- Industrial vacuuming
- Welding tools/Hand tools
- Grinding dust from construction/ industrial environment

Fan capacity

■ CE-13



	Connect. Ø (mm)	Airflow (m ³ /h)
Welding torch	32-38	100
Hand grinding	25	70
Hand grinding	32	120
Hand grinding	38	165
Floor cleaning	32	120
Floor cleaning	38	165
Floor cleaning	50	280