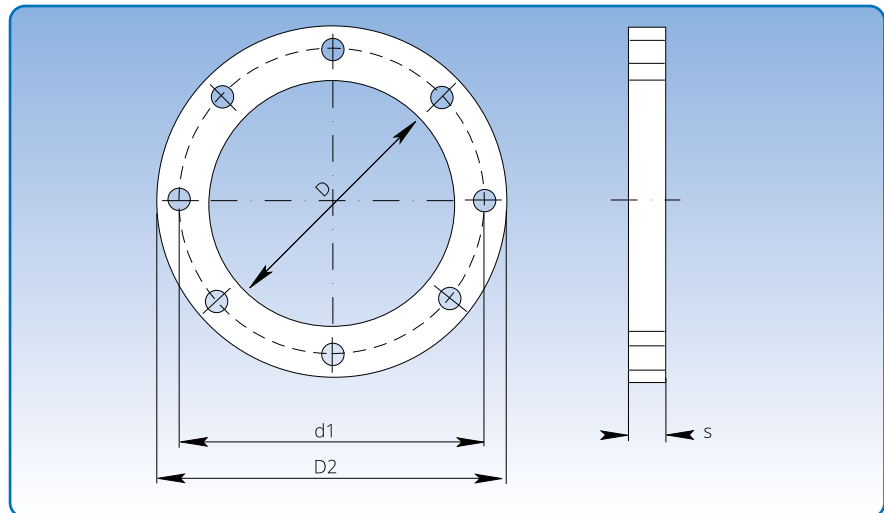


Flanges, stainless steel

Diameter: $\varnothing 80 - \varnothing 1000$ mm.

Flanges are made in accordance with JKF's standard, and are a standard component in the product range.

Flanges are made in EN 1.4301 (AISI 304) stainless steel.



Dimensional specifications are given in the table below.

Item no.	Diameter nominal	Dimensions							Weight kg
		D mm	d1 mm	D2 mm	s mm	Flang width mm	Hole size mm	Number of holes	
1699508	80	85	115	135	3,00	25	10	8	0,22
1699510	100	105	135	155	3,00	25	10	8	0,26
1699512	120	125	155	175	3,00	25	10	8	0,27
1699513	125	130	160	180	3,00	25	10	8	0,30
1699514	140	143	175	193	3,00	25	10	8	0,42
1699515	150	155	185	205	5,00	25	10	8	0,45
1699516	160	165	195	215	5,00	25	10	8	0,50
1699518	175	180	210	225	5,00	25	10	8	0,52
1699519	180	185	215	235	5,00	25	10	8	0,54
1699520	200	205	235	255	5,00	25	10	12	0,60
1699522	225	230	260	280	5,00	25	10	12	0,66
1699525	250	255	285	305	5,00	25	10	12	0,72
1699527	275	280	310	330	5,00	25	10	12	0,78
1699530	300	305	336	355	5,00	25	10	12	0,82
1699532	315	320	351	370	5,00	25	10	12	1,37
1699535	350	355	389	415	5,00	30	12	12	1,36
1699540	400	405	439	465	6,00	30	12	16	1,85
1699545	450	455	489	515	6,00	30	12	16	2,05
1699550	500	505	540	565	6,00	30	12	16	2,28
1699555	550	555	590	615	6,00	30	12	16	2,51
1699560	600	605	640	665	6,00	30	12	16	2,73
1699563	630	635	670	695	6,00	30	12	24	2,83
1699565	650	655	690	715	6,00	30	12	24	2,89
1699570	700	705	750	785	6,00	40	12	24	4,26
1699575	750	755	800	835	6,00	40	12	24	4,56
1699580	800	805	850	885	6,00	40	12	24	4,85
1699585	850	855	900	935	6,00	40	12	24	5,15
1699590	900	905	950	985	6,00	40	12	24	5,43
1699595	950	955	1000	1035	6,00	40	12	24	5,73
1699600	1000	1005	1050	1085	6,00	40	12	24	6,02