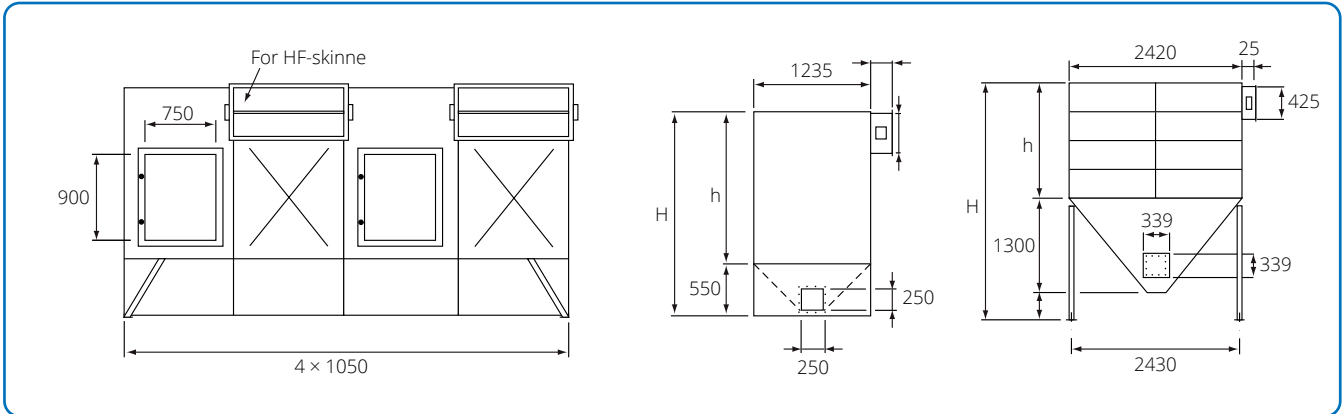
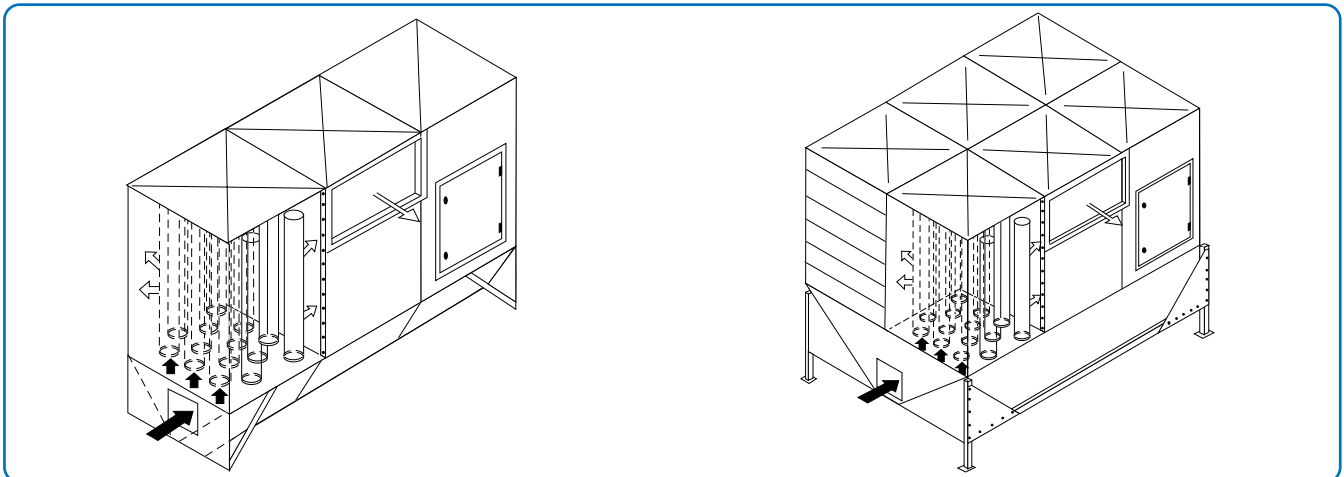


## Blow through filter type L-LD



The drawing above shows single and double filters. Measurement specifications are stated in the table at the bottom of the page.



Blow through filter type L and double blow through filter type LD.

Blow through filter types L and LD are bag filters. They are used for extraction from minor applications, max. 4 HDL modules. The filter has automatic emptying. Emptying is achieved using a secondary fan which extracts the material. The secondary fan represents a suction force of approx. 25% of the primary fan's air volume.

Type	Dimensions				
	mm	h mm	H mm	Bag length mm	Filter area m <sup>2</sup> per module
M - L	1650	2200	1580	15,5	120
H - L	2100	2650	2030	20,0	135
M - LD	1650	3050	1580	31,0	230
H - LD	2100	3500	2030	40,0	260