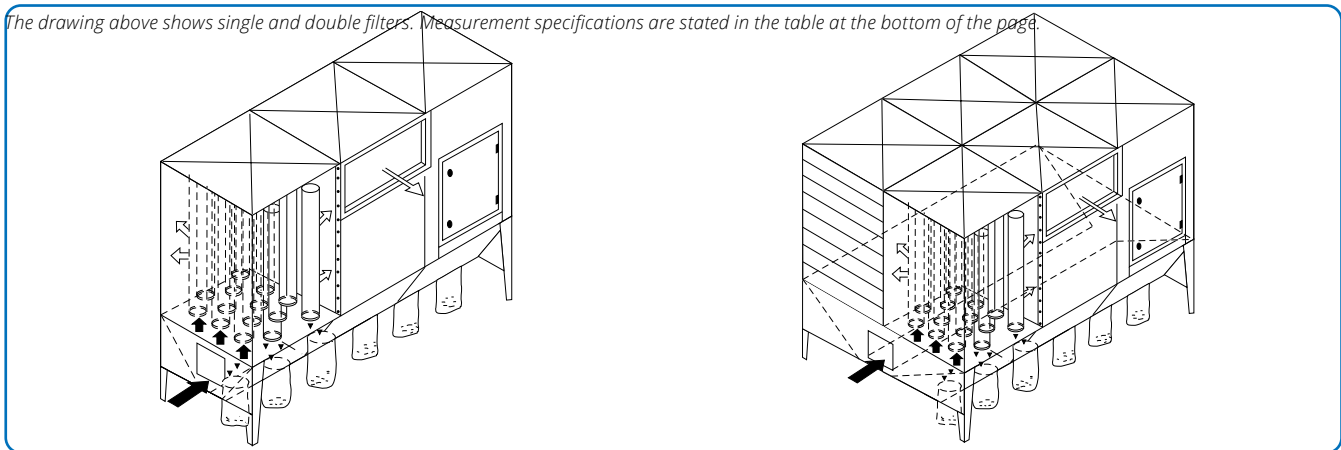
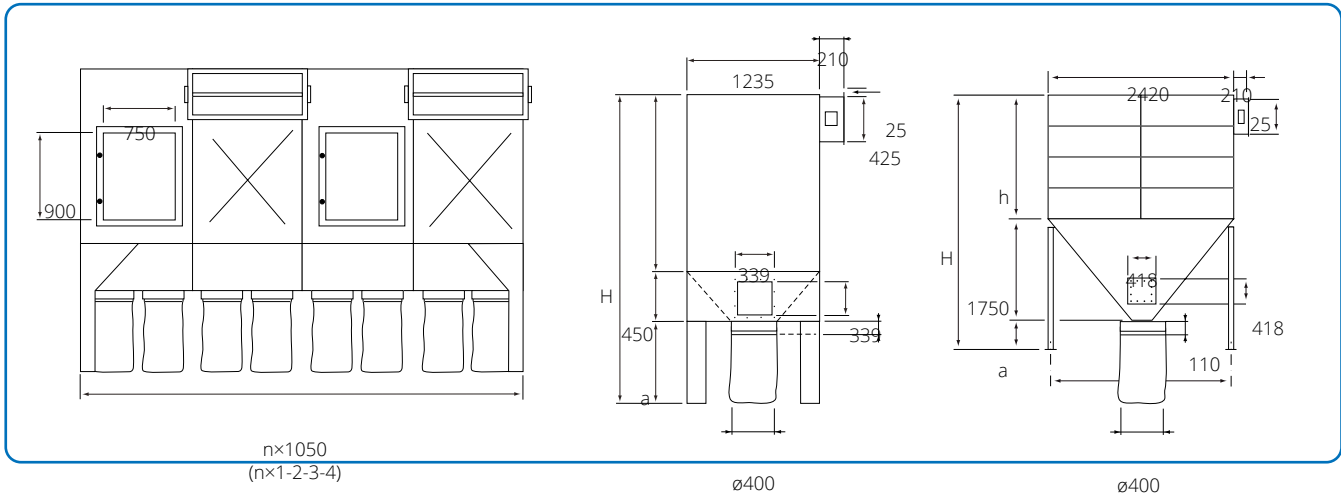


Bag emptying filter type LS-LSD



Bag emptying filter type LS and double bag emptying filter type LSD.

Bag emptying filter type LS - LSD is used for minor applications and can be fitted indoors and out.
The filter is emptied manually by removing full plastic sacks or buckets.
The filter is supplied as standard with sacks.

Standard inlet location is at the end of the filter, but it can be located at the side of the bottom.
Double filters are available with air supply chamber the full width of the chamber, 1050 mm.

Type mm	Dimensions						Weight per module kg
	h mm	a mm	H mm	Bag length mm	Filter area m ² per module		
M - LS	1650	780	2880	1580	15,5	125	
M - LS	1650	1200	3300	1580	15,5	135	
H - LS	2100	780	3330	2030	20,0	140	
H - LS	2100	1200	3750	2030	20,0	150	
E - LS	2550	780	3780	2480	24,5	155	
E - LS	2550	1200	4200	2480	24,5	165	
M - LSD	1650	780	4180	1580	31,0	305	
M - LSD	1650	1200	4600	1580	31,0	330	
H - LSD	2100	780	4630	2030	40,0	325	
H - LSD	2100	1200	5050	2030	40,0	350	
E - LSD	2550	780	5080	2480	49,0	345	
E - LSD	2550	1200	5500	2480	49,0	370	