

Fan types JK-30K - JK-75K

The indirect drive centrifugal fan types JK-30K - JK-75K are designed for material handling.

Equipped with self-cleaning impellers with backward-inclined blades and aerodynamic intake. The impellers are statically and dynamically balanced.

The pulleys are shaft-mounted with taperlock bushing, allowing easy replacement for changed fan speed.

Max. internal operating temperature: 60°C
With cooling wings: Up to 200°C

Number of blades are reduced by 2 for paper impeller.

Available with stainless steel inlet and explosion-proof (Ex) motor.

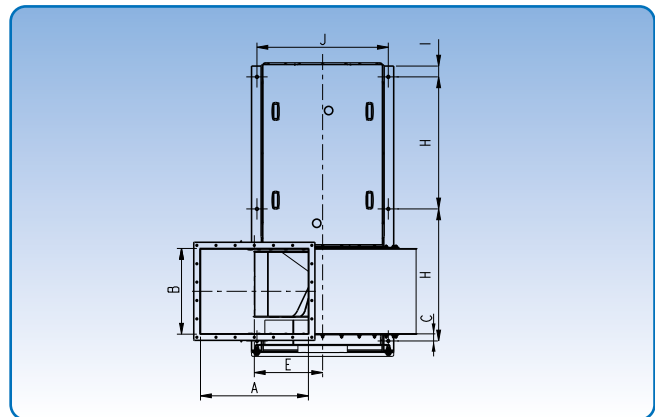
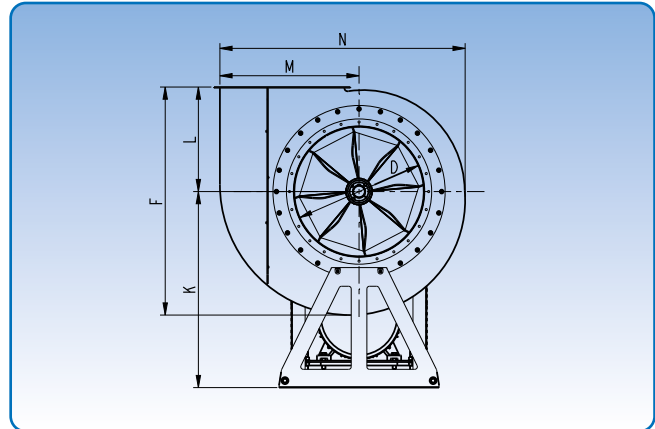
The inlet (D) is supplied with flange as standard.

If the fan is mounted in an acoustic booth, it is supplied with smooth inlet.

Belt drive is anti-static.

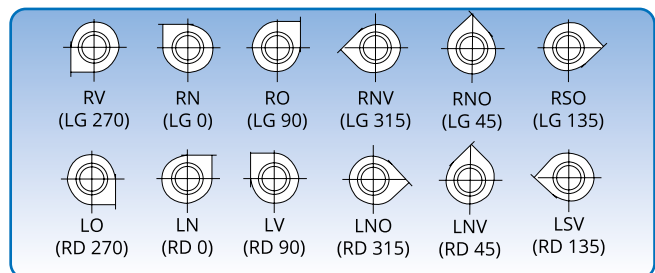
Specific dimensions for the outlet flanges can be found under "Flanges".

The technical data for each type appears on the following pages.



Steel plate dimensions in mm

Type	JK-30K	JK-40K - JK-45K	JK-55K	JK-75K
Impeller - standard	4	5		6
Impeller - reinforced	8	8	8	8
Fan housing - standard	3	3		4
Fan housing - reinforced	6	8		8



6 positions. The position illustrations are viewed from the inlet side.

Type	Dimensions														Weight without motor kg
	A mm	B mm	C mm	D mm	E mm	F mm	G mm	H mm	I mm	J mm	K mm	L mm	M mm	N mm	
JK-30K	206	206	36	300	267	631	860	370	55	430	550	293	377	676	79
JK-40K	250	250	55	400	330	740	1110	494	55	550	650	326	453	824	200
JK-45K	339	339	30	450	395	885	1207	561	55	672	720	375	560	1013	300
JK-55K	418	418	60	550	500	1095	1540	700	59	825	955	468	715	1250	532
JK-75K	700	550	60	750	442	1310	1875	855	70	850	1125	600	800	1410	597