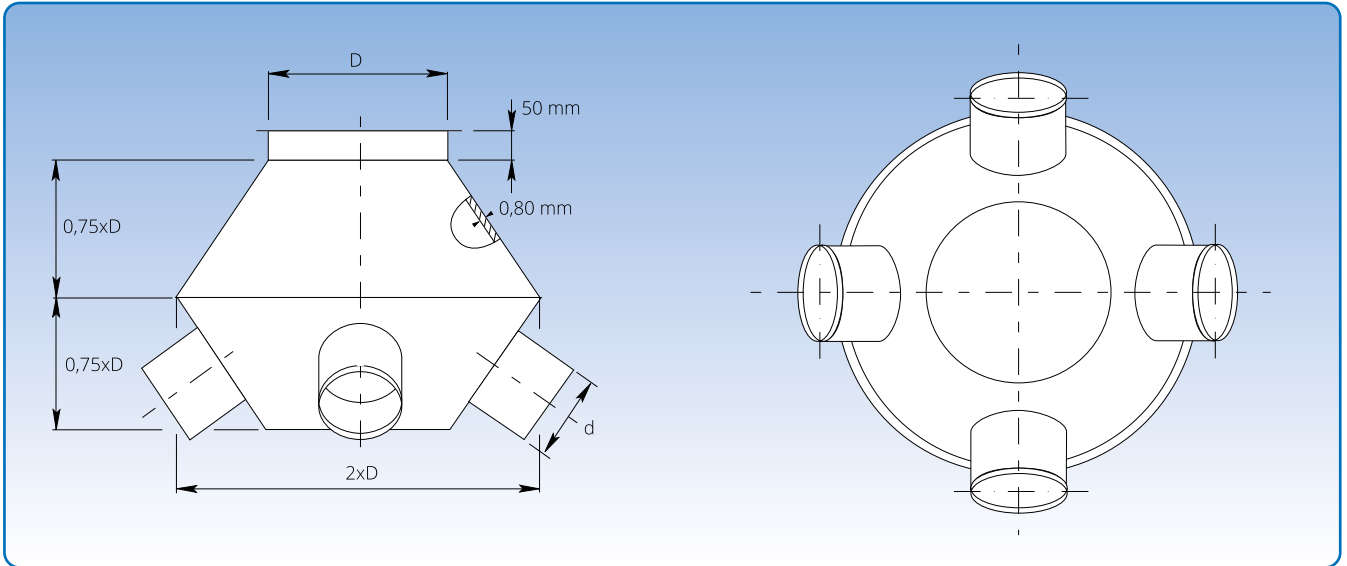


Sputniks, stainless steel



Dimensional specifications are given in the table below.

Diameter: $\varnothing 80 - \varnothing 400$ mm.

Sputniks are for use where several suction heads are merged into a single suction duct.

Sputniks are available with 2 - 9 spigots.

State D and d and number of spigots plus assembly method when ordering.

Dimensions	
D mm	Weight kg
80	1,15
100	1,44
120	1,80
150	2,94
175	4,60
200	7,20
250	9,00
300	10,80
350	15,66
400	18,90