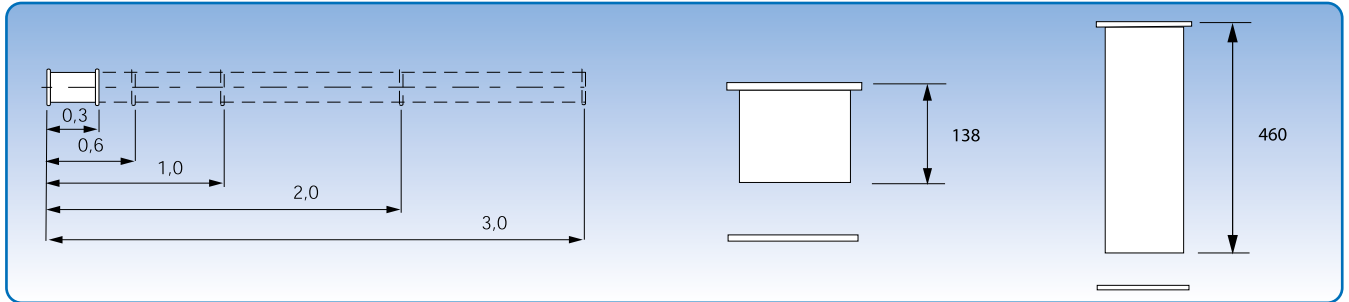


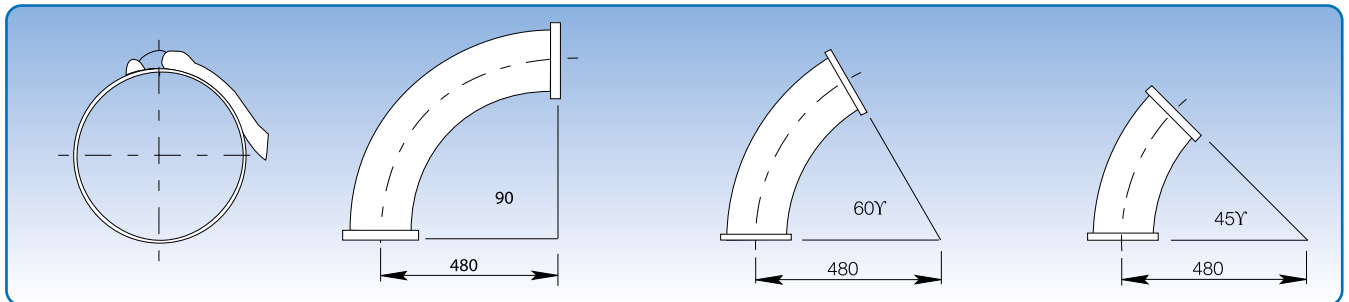
JK-6" duct systems



JK-6" duct systems, galvanised

0.1 m telescopic ducts, galvanised

0.5 m telescopic ducts, galvanised

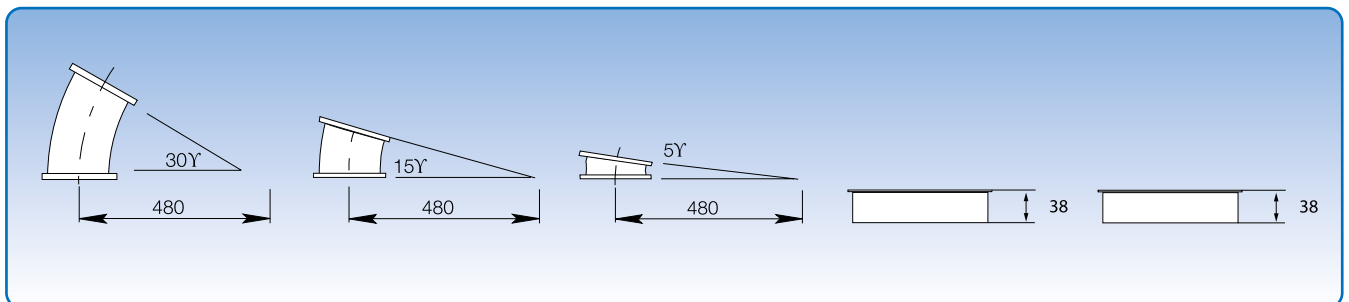


Rapid lock pull rings, galvanised

90° bends, grey

60° bends, grey

45° bends, grey



30° bends, grey

15° bends, grey

5° bends, grey

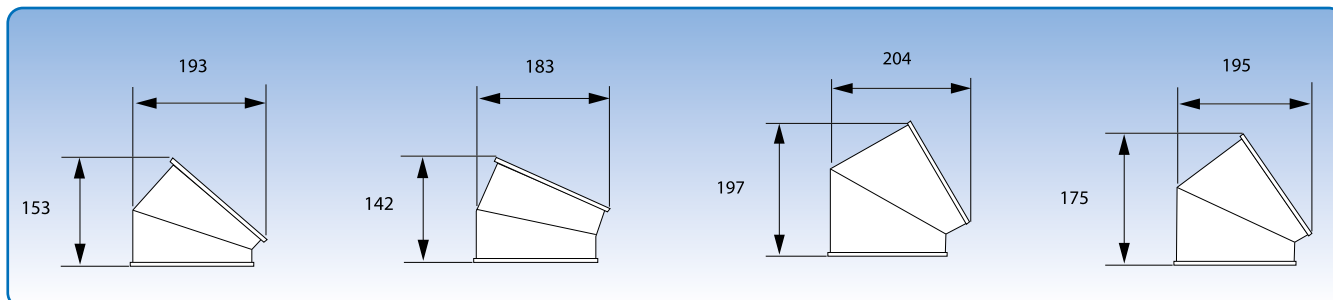
Welding ends, 1.0 mm

Welding ends, 2.0 mm

The JK-6" duct system is specially designed for fast installation and tight, smooth assemblies. Assembly method is rapid lock pull rings.

The special design facilitates high transport capacity and with minimum risk. The rolled ends of the JK-6" system provide strength and minimise the risk of transport damage.

JK-6" duct systems

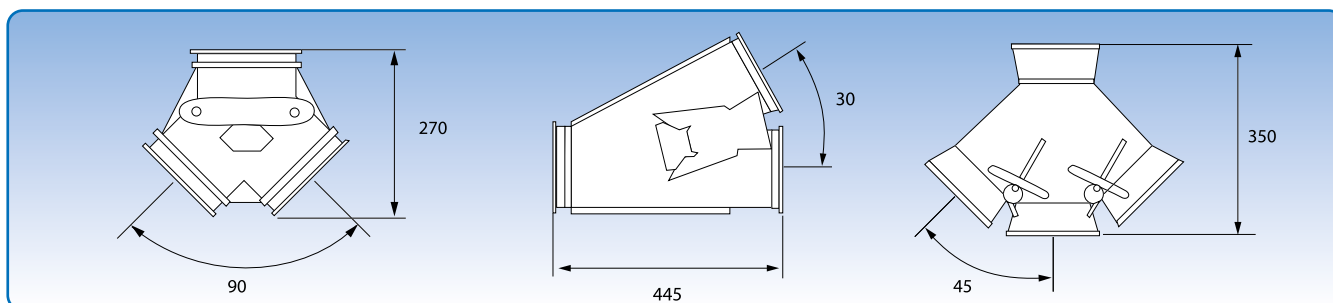


30° segment bends, 1.5 mm, grey

15° segment bends, 1.5 mm, grey

60° segment bends, 1.5 mm, grey

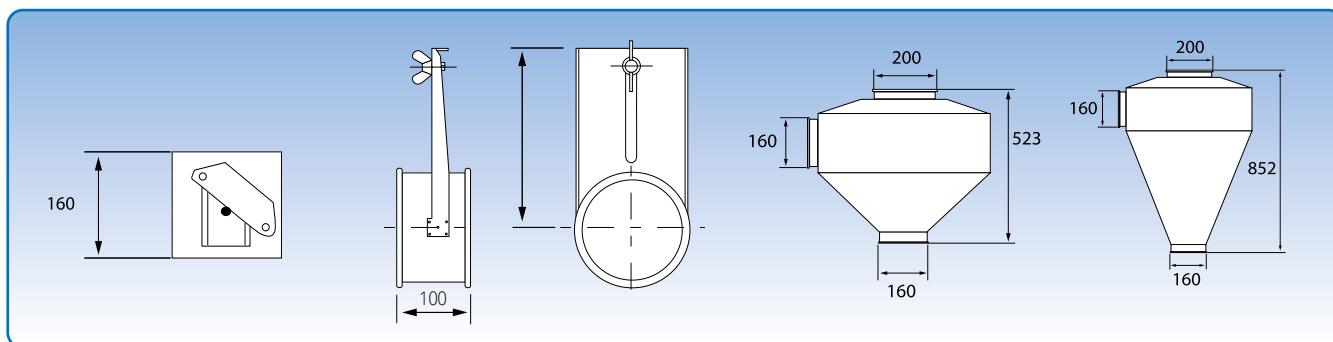
45° segment bends, 1.5 mm, grey



Trouser diverters, 45°, grey

Branch diverters, 30°, grey

Three-way diverters, 45°, grey

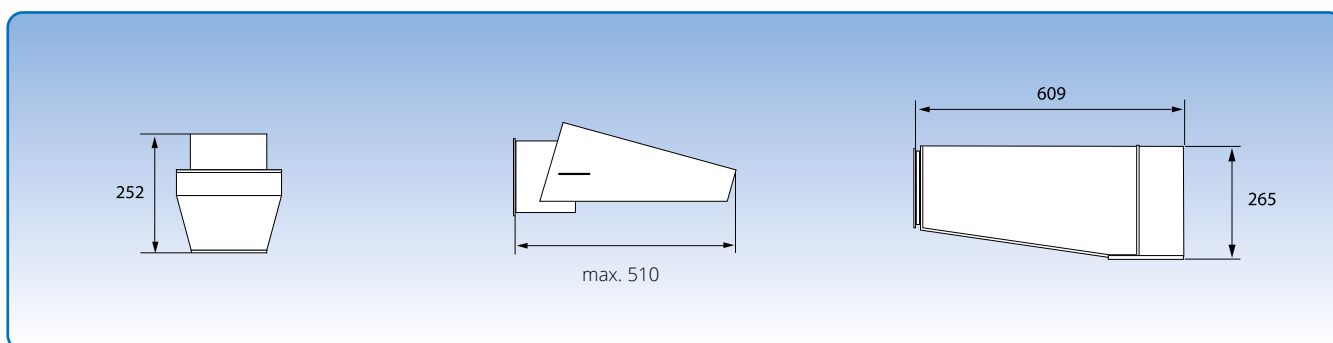


Spring-loaded throttle valves, grey

Bulkheads, grey

Exhaust cyclones, galvanised

Dust cyclones, galvanised



Swing outlets, grey

Outlet nozzles, blue

Exhaust heads, galvanised